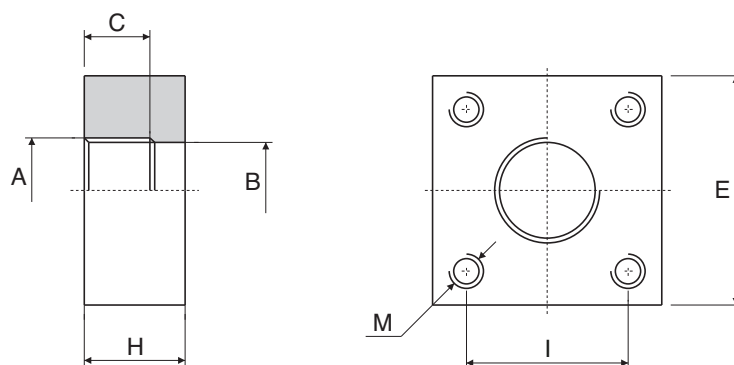


CETOP threaded counter flanges  
 Contre brides CETOP taraudées  
 CETOP Gewindegegenflanche



### serie 250 bar

Pressione max esercizio bar	Tipo / Type		Size	A	B	C	D		E	H	I	
	GAS	NPT					CETOP	SID			CETOP	SID
250	CC.23813-G	CC.23814-N	3/8"	1/4"	10	12	M 6	M 6	40	23	24,7	24,7
	CC.23817-G	CC.23818-N		3/8"	12	13						
250	CC.21217-G	CC.21218-N	1/2"	3/8"	13	13	M 8	M 6	45	32	29,7	30
	CC.21221-G	CC.21222-N		1/2"	14	15						
250	CC.23421-G	CC.23422-N	3/4"	1/2"	18	15	M 8	M 8	50	32	35,3	35,3
	CC.23427-G	CC.23428-N		3/4"	20	18						
250	CC.21027-G	CC.21028-N	1"	3/4"	22	18	M10	M10	65	36	43,8	43,8
	CC.21034-G	CC.21035-N		1"	25	20						
250	CC.21434-G	CC.21435-N	1" 1/4	1"	28	20	M12	M12	75	38	51,6	51,6
	CC.21442-G	CC.21443-N		1" 1/4	32	22						
250	CC.21242-G	CC.21243-N	1" 1/2	1" 1/4	36	22	M14	M12	85	42	60	60
	CC.21249-G	CC.21250-N		1" 1/2	38	24						
250	CC.22049-G	CC.22050-N	2"	1" 1/2	43	24	M16	M14	100	44	69,4	68
	CC.22060-G	CC.22061-N		2"	47	27						
250	CC.23060-G	CC.23061-N	2" 1/2	2"	47	27	M20	M18	120	48	83,4	85
	CC.23075-G	CC.23076-N		2" 1/2	63	30						
250	CC.24075-G	CC.24076-N	3"	2" 1/2	63	30	M20	M22	140	55	102,5	95
	CC.24090-G	CC.24091-N		3"	76	30						

### serie 400 bar

Pressione max esercizio bar	Tipo / Type		Size	A	B	C	D	E	H	I
	GAS	NPT								
400	CC.43813-G	CC.43814-N	3/8"	1/4"	10	12	M 6	40	23	24,7
	CC.43817-G	CC.43818-N		3/8"	12	13				
400	CC.41217-G	CC.41218-N	1/2"	3/8"	13	13	M 8	45	32	29,7
	CC.41221-G	CC.41222-N		1/2"	14	15				
400	CC.43421-G	CC.43422-N	3/4"	1/2"	18	15	M 8	50	32	35,3
	CC.43427-G	CC.43428-N		3/4"	20	18				
400	CC.41027-G	CC.41028-N	1"	3/4"	22	18	M10	65	36	43,8
	CC.41034-G	CC.41045-N		1"	25	20				
400	CC.41434-G	CC.41435-N	1" 1/4	1"	28	20	M10	75	38	51,6
	CC.41442-G	CC.41443-N		1" 1/4	32	22				
400	CC.41242-G	CC.41243-N	1" 1/2	1" 1/4	36	22	M14	85	42	60
	CC.41249-G	CC.41250-N		1" 1/2	38	24				
400	CC.42049-G	CC.42050-N	2"	1" 1/2	43	24	M16	100	44	69,4
	CC.42060-G	CC.42061-N		2"	47	27				
400	CC.43060-G	CC.43061-N	2" 1/2	2"	47	27	M20	120	48	83,4
	CC.43075-G	CC.43076-N		2" 1/2	63	30				
400	CC.44075-G	CC.44076-N	3"	2" 1/2	63	30	M20	140	55	102,5
	CC.44090-G	CC.44091-N		3"	76	30				

Per ordinare le flange, specificare se CETOP o SID  
 Ordering flanges, specify if CETOP or SID  
 Pour commander brides, indiquer si il vous plait si CETOP ou SID  
 Um Flansche zu bestellen, bitte CETOP oder SID Ausführung angeben

Es.: CETOP CC.....G  
 Es.: SID CC.....G